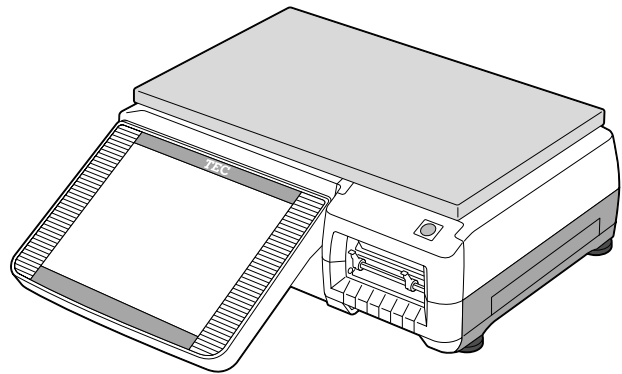




TEC Electronic Computing Scale

SL-5300 SERIES

Owner's Manual



TOSHIBA TEC CORPORATION

TABLE OF CONTENTS

	Page
1. INTRODUCTION	1-1
1.1 Applicable Model	1-2
1.2 Accessories	1-2
2. SPECIFICATIONS.....	2-1
2.1 Scale	2-1
2.2 Option.....	2-2
3. APPEARANCE.....	3-1
3.1 Dimensions.....	3-1
3.2 Scale	3-1
3.3 Label Cassette.....	3-1
3.4 Connector Panel.....	3-2
4. PROCEDURE BEFORE DAILY OPERATION.....	4-1
4.1 Installation of the Scale.....	4-1
4.2 Preparation.....	4-1
5. INSERTING THE POWER CORD	5-1
6. LEVEL ADJUSTMENT	6-1
7. TURNING THE POWER ON/OFF.....	7-1
7.1 Turning the Power ON.....	7-1
7.2 Turning the Power OFF	7-2
8. LOADING/REPLACING THE MEDIA.....	8-1
9. OPERATION PANEL	9-1
9.1 Operational Precautions	9-1
9.2 Tilt Angle Adjustment.....	9-1
9.3 Layout of the Operation Panel	9-2
10. CUSTOMER'S DISPLAY.....	10-1
10.1 US Model.....	10-1
10.2 CA Model.....	10-2
10.3 Spanish Display Sticker	10-3
11. DAILY MAINTENANCE.....	11-1
11.1 Cleaning	11-1
11.1.1 Print Head.....	11-1
11.1.2 Platen and Media Roll Holder	11-2
11.1.3 Covers and Platter	11-2
11.1.4 Operation Panel.....	11-2
11.2 Removing the Jammed Media	11-3
11.3 Media Guide Adjustment	11-4
12. PC CARD HANDLING.....	12-1
12.1 Inserting the PC Card	12-1
12.2 Ejecting the PC Card	12-1
13. OUTLINE OF MAIN MENU.....	13-1

14. PROGRAMMING MODE	14-1
14.1 Edit Screen.....	14- 2
14.2 PLU Data Setting.....	14- 4
14.3 Department Setting.....	14-12
14.4 Ingredient Setting	14-13
14.5 Nutrition Facts Setting	14-14
14.5.1 Serving Size Setting.....	14-18
14.5.2 Calories Setting	14-18
14.5.3 Nutrition Setting 1/2	14-20
14.5.4 Nutrition Setting 2/2	14-21
14.5.5 Additional Title Change 1/2.....	14-23
14.5.6 Additional Title Change 2/2.....	14-24
14.5.7 Footnote Setting	14-25
14.6 Recipe Setting	14-26
14.7 Grade Line Setting.....	14-28
14.8 Message/Information Setting	14-29
14.9 Store Name/Address Setting	14-30
14.10 Scrolling Message Setting	14-31
14.11 Combination Report Setting.....	14-33
14.12 Vendor Setting.....	14-42
14.13 SFKC Setting.....	14-43
14.14 Idiom Setting	14-48
14.15 Combination Label Setting.....	14-49
14.16 Promotion Setting.....	14-51
14.17 Schedule Setting	14-53
14.18 Inline (LAN Master/Satellite System) Setting	14-55
14.19 DLL (LAN Master/Satellite System) Setting	14-56
14.20 Operator's Hint Setting	14-58
14.21 Changing the Unit Price.....	14-60
15. SETUP MODE	15-1
15.1 Date/Time Setting.....	15- 2
15.2 Label Format Setting	15- 3
15.2.1 Free Format Arrangement	15- 6
15.2.2 Label Format List	15-10
15.2.3 Format Copy and New Format No. Addition.....	15-10
15.2.4 Format Reset.....	15-11
15.3 Bar Code Format Setting	15-30
15.4 Memory Card Operation	15-33
15.4.1 Save/Load Operation.....	15-34
15.4.2 Memory Card Format.....	15-37
15.4.3 Clear File in Scale Memory.....	15-38
15.4.4 Memory Card Copy.....	15-39
15.5 PLU Data Maintenance.....	15-40
15.6 Password Assignment	15-47
15.7 Wireless LAN.....	15-48
15.7.1 Wireless LAN Setup.....	15-49
15.7.2 Wireless LAN Status Check.....	15-51
16. REGISTRATION MODE	16-1
16.1 Programming for the Registration Mode	16- 3
16.1.1 Print Item Selection.....	16- 4
16.1.2 Label Format Selection	16- 5
16.1.3 Mode Change	16- 5
16.1.4 PLU Library.....	16- 6
16.1.5 Temporary Date Change	16- 8

16.1.6	Special Information Assignment.....	16- 9
16.1.7	Logo Assignment.....	16-10
16.1.8	Grade Line Assignment.....	16-11
16.1.9	Scrolling Message Setting.....	16-12
16.1.10	Store Name/Address Assignment.....	16-13
16.1.11	Operation Panel Brightness Adjustment.....	16-14
16.2	Basic Operations.....	16-15
16.2.1	Zero Count Setting.....	16-15
16.2.2	Calling a PLU.....	16-16
16.2.3	Weighing Commodities and Issuing Labels.....	16-18
16.2.4	Tare Subtraction/Cancellation/Save.....	16-19
16.2.5	Void.....	16-24
16.2.6	Vendor Log-in.....	16-24
16.2.7	Unit Price Set and Change.....	16-26
16.2.8	Changing the Unit of Weight (CA model only).....	16-28
16.2.9	Label Issue Count Setting.....	16-29
16.2.10	Test Print.....	16-30
16.2.11	Speed Key Screen Change.....	16-30
16.3	By Count Operations.....	16-31
16.3.1	When Using the Quantity Preset to the PLU.....	16-31
16.3.2	When Invalidating the Quantity and Changing the Unit Price Preset to the PLU.....	16-32
16.3.3	Batch Print Operation.....	16-36
16.4	Fix Price Operation (US model only).....	16-38
16.5	Issuing Net Weight Statement Label (US model only).....	16-39
16.6	Sales Promotion.....	16-41
16.7	Average Portion Cost.....	16-43
16.8	Operator's Hint.....	16-45
17.	REGISTRATION MARK DOWN MODE.....	17-1
18.	REGISTRATION REWRAP MODE.....	18-1
19.	REPORT/RESET MODE.....	19-1
19.1	Label Mode Total Memory Report/Reset.....	19- 3
19.2	Programmed Data Report.....	19-13
19.3	Combination Report.....	19-19
19.4	Total Data Transmission.....	19-21
20.	TRAINING MODE.....	20-1
21.	SLEEP MODE.....	21-1
22.	SLIDE SHOW MODE.....	22-1
23.	TROUBLESHOOTING.....	23-1
24.	ERROR MESSAGE TABLE.....	24-1

CAUTION!

1. This manual may not be copied in whole or in part without prior written permission of TOSHIBA TEC.
2. The contents of this manual may be changed without notification.
3. Please refer to your local Authorised Service representative with regard to any queries you may have in this manual.

This is a “Table of Contents preview” for quality assurance

The full manual can be found at <http://the-checkout-tech.com/estore/catalog/>

We also offer free downloads, a free keyboard layout designer, cable diagrams, free help and support.

<http://the-checkout-tech.com> : *the biggest supplier of cash register and scale manuals on the net*