

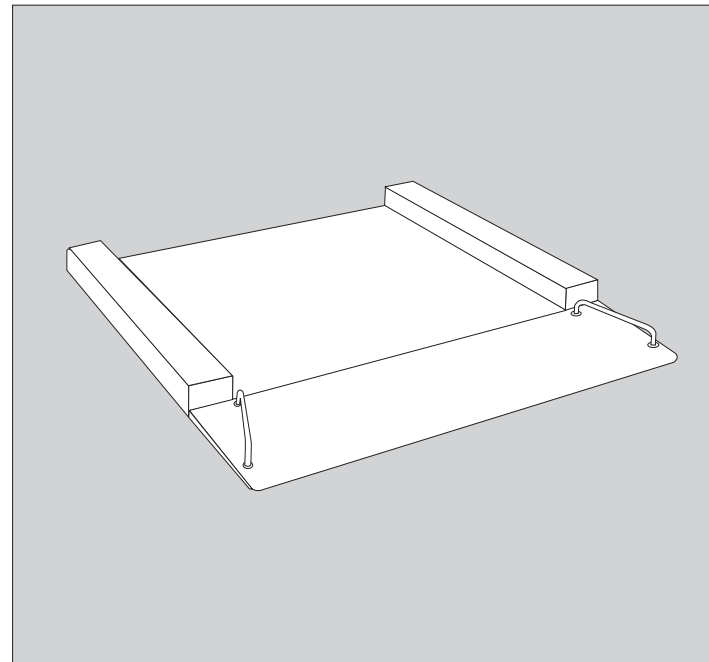


Service Manual

Sartorius Industry Series

Flat-bed Scales IF-Models
Electronic Precision Scales

Including Spare Parts List
and Service Specifications Sheets



WIF5035-e04125

Contents

- 3 General Information**
 - 3 Repairs
 - 3 Overview of Flat-bed Scale models
 - 3 Ordering special versions of the models ..
 - 4 Current model descriptions for IF weighing platforms
 - 5 Auxiliary Service Tools and Equipment
 - 5 Accompanying Literature
- 6 Service Work on the Load Cell**
- 8 Wiring Diagram**
 - 9 Connection from the Junction Box to the A/D Converter
- 10 Calibration/Adjustment of the Flat-bed Scale
 - 10 Preparation
 - 10 Adjustment Sequence
 - 10 Zero-point Offset Value
 - 11 Adjustment of the Zero-point Offset Value
 - 12 Off-center Load
 - 12 Checking the Off-center Load
 - 12 Fine Adjustment of the Off-center Load
- 14 Span Adjustment**
 - 14 Adjust the Span
 - 16 Linearization
 - 16 Checking the Linearity
 - 16 Adjusting the Linearity with an isi Industrial Terminal
- 18 Replacing the Load Cell**
- 19 Replacing the Load-bearing Foot**
- 19 Removing the Drive-on Ramp Brace**
- 20 Service Specifications**
- 21 Service Specifications for FIP4...**
- 22 Exploded-view drawing**
- 23 Spare Parts List for Flat-bed scales**
- 25 Load cell junction (Colortable)**

General Information

Repairs

Important:

**Prerequisites for working on Sartorius Industry Scales include considerable experience, completion of a Service Course at the main office in Goettingen, and the special tools and equipment described below. Please do not attempt or permit any unauthorized repair work!
If you remove the seal (warranty sticker), the scale is no longer covered under the warranty.**

Overview of Flat-bed models

The models consist of a flat-bed scale with strain-gauge load cells, an analog/digital converter and an *isi* industrial terminal.

Models

IF600LIP-LOCE, IF600LIS-LOCE, IF600NLP-LOCE, IF600NLS-LOCE,
IF600NNP-LOCE, IF600NNS-LOCE, IF600RNP-LOCE, IF600RNS-LOCE,
IF1500NLP-LOCE, IF1500NLS-LOCE, IF1500NNP-LOCE, IF1500NNS-LOCE,
IF1500RNP-LOCE, IF1500RNS-LOCE, IF1500RRP-LOCE, IF1500RRS-LOCE,
IF1500WRP-LOCE, IF1500WRS-LOCE, IF3000NNP-LOCE,
IF3000NNS-LOCE, IF3000RNP-LOCE, IF3000RNS-LOCE, IF3000RRP-LOCE,
IF3000RRS-LOCE, IF3000WRP-LOCE, IF3000WRS-LOCE

Ordering special versions of the models ..

Note:

To order special versions, please add the ID code of the special version you need to the last letter of the order number for the standard model. For example, „P“ stands for „electropolished,“ and „P4“ for the AISI 316 TI stainless steel standard (German standard 1.4571) that is electropolished.

This is a “Table of Contents preview” for quality assurance

The full manual can be found at <http://the-checkout-tech.com/estore/catalog/>

We also offer free downloads, a free keyboard layout designer, cable diagrams, free help and support.

<http://the-checkout-tech.com> : *the biggest supplier of cash register and scale manuals on the net*