

RANGER
INSTRUMENTS



6500

Mounting Options Manual

Introduction

This manual covers the various mounting options for the Ranger **6500** Remote Display. The other manuals covering the **6500** are:

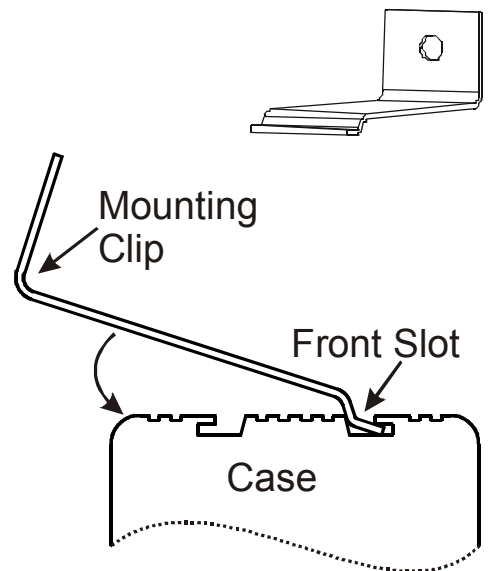
- **6500** Reference Manual (6500-600);
- **6500** Quick Start Manual (6500-601);
- **6500** Operators Manual (6500-602).

These manuals are available for download from the Ranger Instruments web site:

www.rangerinstruments.com

Mounting Clips

All mounting options require the use of the four (4) mounting clips shipped with the **6500**.



Contents

Wall Mounting	2
Post Mounting	3
Swivel Mounting.....	4
Suggested Swivel Mounting Configurations	5
Fitting the Weather Shield	6

This is a “Table of Contents preview” for quality assurance

The full manual can be found at <http://the-checkout-tech.com/estore/catalog/>

We also offer free downloads, a free keyboard layout designer, cable diagrams, free help and support.

<http://the-checkout-tech.com> : *the biggest supplier of cash register and scale manuals on the net*