



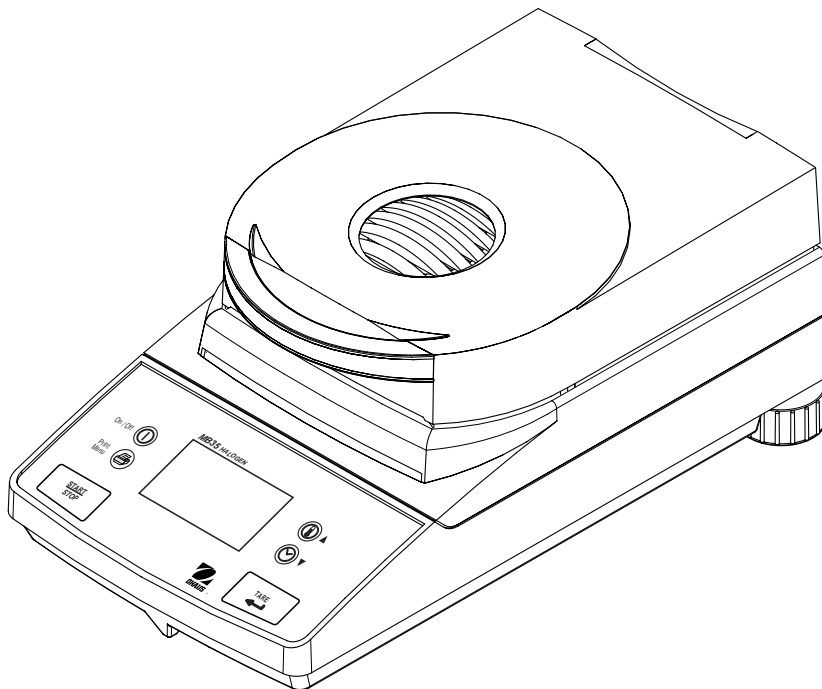
**Instruction Manual  
MB35 Moisture Analyzer**

**Manual de instrucciones  
Analizador de humedad MB35**

**Guide d'utilisateur  
Analyseur d'humidité MB35**

**Bedienungsanleitung  
MB35 Feuchtebestimmer**

**Analizzatore di umidità MB35  
Manuale di istruzioni**



# Contents

<b>1.</b>	<b>INTRODUCTION</b> .....	EN-2
1.1	Safety Precautions .....	EN-2
<b>2.</b>	<b>INSTALLATION</b> .....	EN-4
2.1	Unpacking and Checking Equipment .....	EN-4
2.2	Selecting the Location .....	EN-4
2.3	Installing the Heat Shield, Draft Shield and Pan Support .....	EN-4
2.4	Connecting to a Power Supply .....	EN-5
2.5	Operating Controls .....	EN-6
<b>3.</b>	<b>MOISTURE ANALYZER SETUP</b> .....	EN-7
3.1	Language Setting .....	EN-7
3.2	Weight Calibration .....	EN-8
3.3	Temperature Calibration .....	EN-9
3.4	Time and Date Setting .....	EN-10
3.5	RS232 Settings .....	EN-11
3.6	Setting Print and GLP Printing On or Off .....	EN-13
3.7	Adjusting Display Contrast and Brightness .....	EN-14
<b>4.</b>	<b>OPERATING YOUR MOISTURE ANALYZER</b> .....	EN-15
4.1	Setting the Drying Temperature .....	EN-15
4.2	Setting the Drying Time .....	EN-15
4.3	Sample Preparation .....	EN-15
4.4	Running the Test .....	EN-16
4.5	RS232 Command Table .....	EN-17
<b>5.</b>	<b>CARE AND MAINTENANCE</b> .....	EN-18
5.1	Cleaning Interior/Exterior Components .....	EN-18
5.2	Replacing Power Line Fuse .....	EN-19
5.3	Accessories .....	EN-19
5.4	Specifications .....	EN-20

This is a “Table of Contents preview” for quality assurance

The full manual can be purchased from our store:

[https://the-checkout-tech.com/manuals/ohaus/MB-35 instruction manual.html](https://the-checkout-tech.com/manuals/ohaus/MB-35%20instruction%20manual.html)

And our free Online Keysheet maker:

<https://the-checkout-tech.com/Cash-Register-Keysheet-Creator/>

[HTTPS://THE-CHECKOUT-TECH.COM](https://THE-CHECKOUT-TECH.COM)