



Ohaus Corporation
29 Hanover Road
Florham Park, NJ
07932-0900

INSTRUCTION MANUAL

Explorer Balances

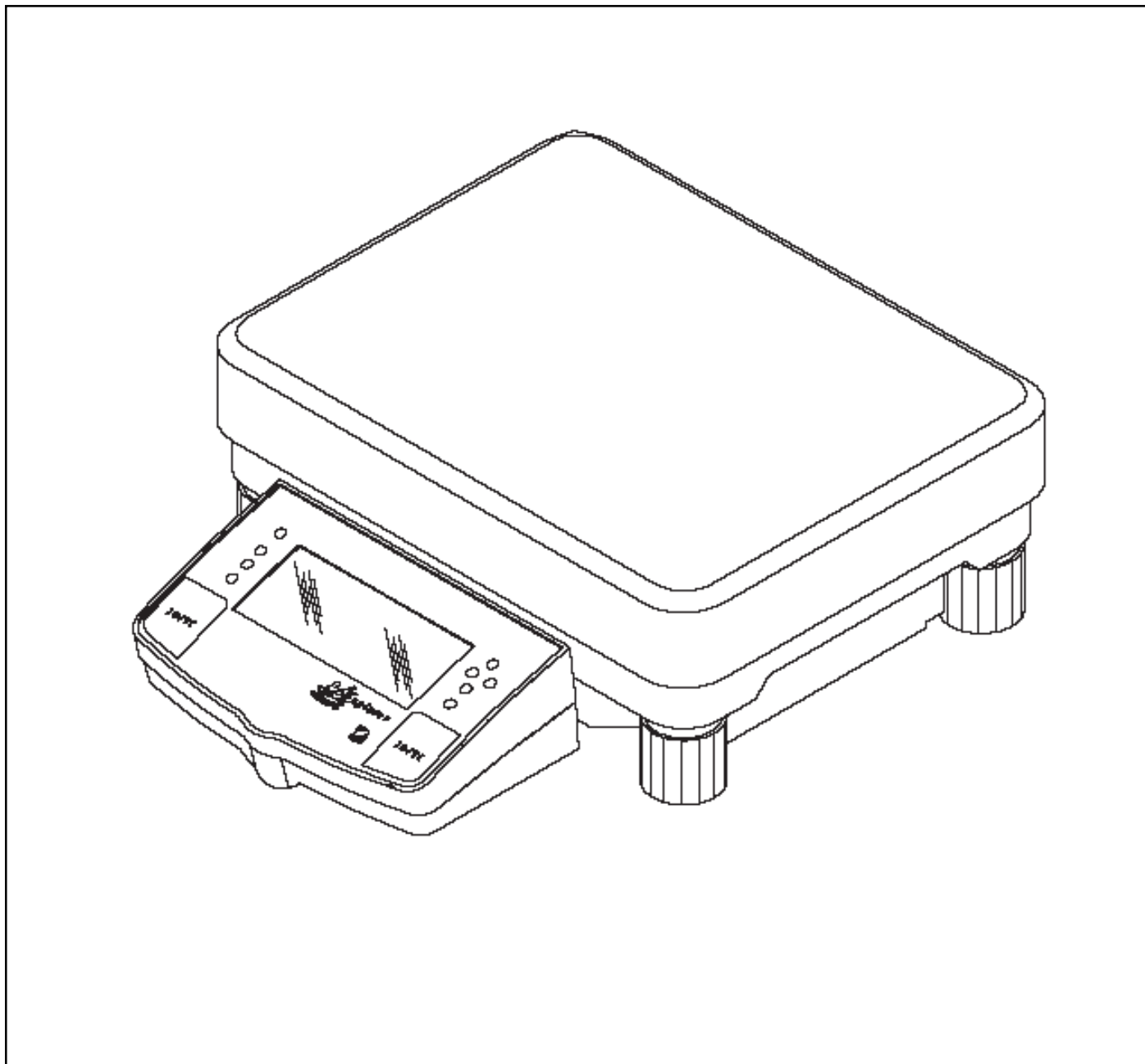


TABLE OF CONTENTS

OVERVIEW OF CONTROLS	7
OVERVIEW OF DISPLAY INDICATORS	8
1. GETTING TO KNOW YOUR BALANCE	9
1.1 Introduction	9
2. INSTALLATION	9
2.1 Unpacking and Checking the Standard Equipment	9
2.2 Selecting the Location	10
2.3 Setting Up and Leveling the Balance	10
2.4 Connecting Power	11
3. OPERATING YOUR BALANCE	12
3.1 The Menu (Basic Settings of the Instrument)	12
3.2 Turning On the Balance	13
3.3 Calibration	13
3.3.1 Internal Calibration (InCAL™)	15
3.3.2 Span Calibration	16
3.3.3 User Calibration	17
3.3.4 Linearity Calibration	18
3.3.5 Calibration Test	19
3.3.6 Calibration GLP Printout	20
3.4 Weighing	21
3.5 Percent Weighing	22
3.6 Parts Counting	23
3.7 Animal Weighing	24
3.8 Weigh Below	25
3.9 Printing Data	25
4. SETTING UP YOUR BALANCE	26
4.1 Setting Date and Time	26
4.2 Readout	27
4.3 Good Laboratory Practices (GLP) Data	28
4.4 Good Laboratory Practices (GLP) Set	28

TABLE OF CONTENTS (Cont.)

4.5 Print	29
4.6 RS 232	31
4.7 Legal for Trade (LFT)	32
4.8 Mode	33
4.9 Units	34
4.10 Global	34
4.11 Custom Unit	36
4.12 Menu Lock-Out Protection	38
5. CARE AND MAINTENANCE	39
5.1 Troubleshooting	39
5.2 RS232 Interface	40
5.3 Error Codes List	42
5.4 Information Messages	42
5.5 Service Information	44
5.6 Replacement Parts	44
5.7 Accessories	44
5.8 Specifications	45

This is a “Table of Contents preview” for quality assurance

The full manual can be purchased from our store:

[https://the-checkout-tech.com/manuals/ohaus/Explorer instruction manual.html](https://the-checkout-tech.com/manuals/ohaus/Explorer%20instruction%20manual.html)

And our free Online Keysheet maker:

<https://the-checkout-tech.com/Cash-Register-Keysheet-Creator/>

[HTTPS://THE-CHECKOUT-TECH.COM](https://THE-CHECKOUT-TECH.COM)