



Ohaus Discovery Balances Instruction Manual

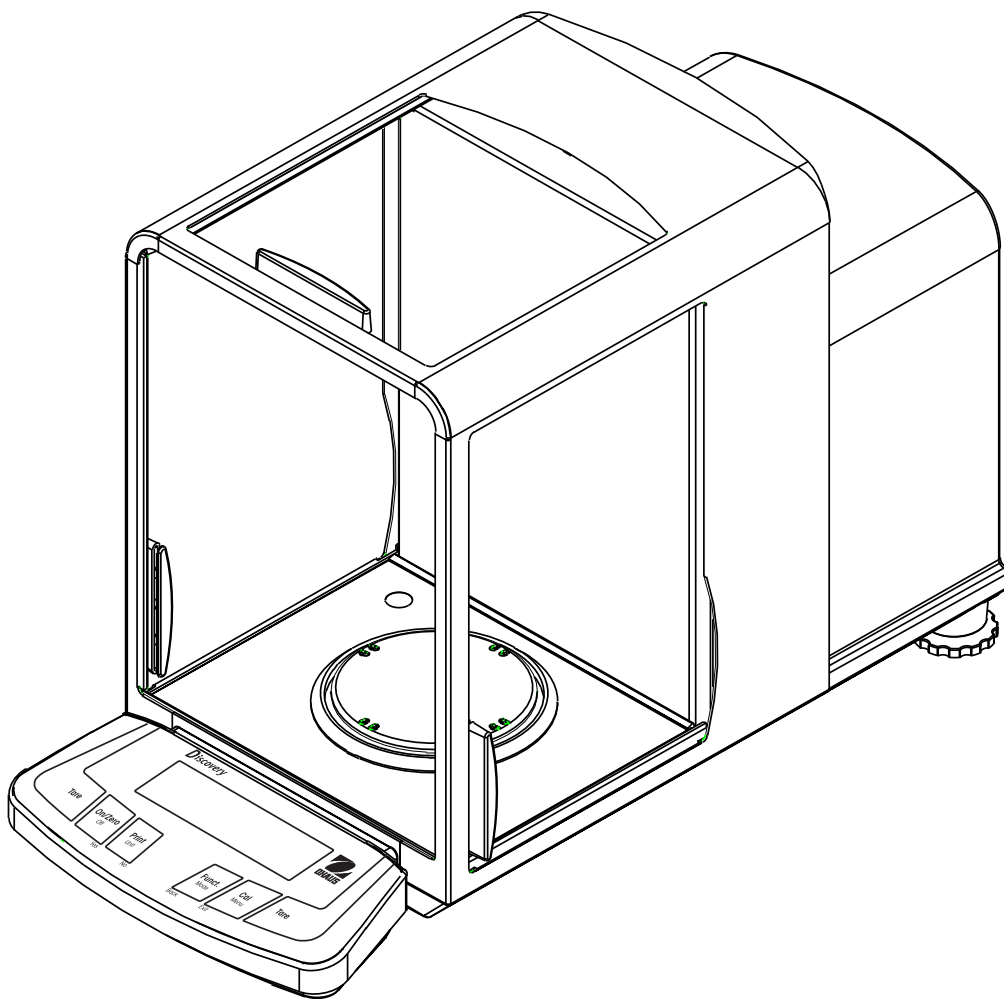


TABLE OF CONTENTS

1.	INTRODUCTION.....	EN-3
1.1	Description.....	EN-3
1.2	Features.....	EN-3
1.3	Safety Precautions.....	EN-3
2.	INSTALLATION.....	EN-4
2.1	Unpacking.....	EN-4
2.2	Installing Components.....	EN-4
2.2.1	Assembly.....	EN-4
2.3	Selecting the location.....	EN-4
2.4	Leveling the Balance.....	EN-4
2.5	Connecting Power.....	EN-5
2.5.1	AC Adapter.....	EN-5
2.5.2	Turning Power On and Off.....	EN-5
2.6	Initial Calibration.....	EN-5
3.	OPERATION.....	EN-7
3.1	Overview of Controls & Display Functions.....	EN-7
3.2	Button Control Functions.....	EN-9
3.3	Using the Button Control Functions.....	EN-10
3.3.1	Setting the Balance to Zero.....	EN-10
3.3.2	Taring.....	EN-10
3.3.3	Changing Units of Measure.....	EN-10
3.3.4	Changing Application Modes.....	EN-10
3.3.5	Printing Data.....	EN-10
3.3.6	Calibration.....	EN-10
3.4	Menu.....	EN-11
3.4.1	Menu Structure.....	EN-11
3.4.2	Menu Navigation.....	EN-12
3.4.3	Changing Settings.....	EN-12
3.5	Application Modes.....	EN-13
3.5.1	Weighing.....	EN-13
3.5.2	Parts Counting.....	EN-13
3.5.3	Percent Weighing.....	EN-14
3.5.4	Check Weighing.....	EN-15
3.5.5	Dynamic/Animal Weighing.....	EN-15
3.5.6	Gross, Net, Tare Weighing.....	EN-16
3.5.7	Totalize.....	EN-17
3.5.8	High Point.....	EN-17
3.5.9	Density.....	EN-18
3.5.10	Statistics.....	EN-25
3.3.11	Pipette Calibration.....	EN-28

TABLE OF CONTENTS (Cont.)

3.6	Additional Features.....	EN-30
3.6.1	Weigh Below	EN-30
3.7	Balance Settings	EN-30
3.7.1	Menu Setup	EN-30
3.7.2	Calibration.....	EN-31
3.7.3	Setup	EN-35
3.7.4	Readout	EN-35
3.7.5	Mode	EN-35
3.7.6	Unit.....	EN-36
3.7.7	Print.....	EN-37
3.7.8	RS232	EN-37
3.7.9	GLP Data.....	EN-37
3.7.10	GLP Print.....	EN-38
3.7.11	Reset	EN-38
3.7.12	Lockout.....	EN-39
3.7.13	End.....	EN-39
3.8	Sealing Access to the Balance Settings	EN-40
3.9	Printing Data	EN-40
4.	MAINTENANCE	EN-41
4.1	Calibration	EN-41
4.2	Cleaning	EN-41
4.3	Troubleshooting.....	EN-41
4.4	Service Information.....	EN-42
4.5	Parts	EN-42
4.6	Accessories.....	EN-42
5.	TECHNICAL DATA	EN-43
5.1	Drawings	EN-43
5.2	Specifications	EN-44
5.3	Capacity x Readability	EN-45
5.4	Communication	EN-45
5.4.1	Commands.....	EN-45
5.4.2	Connections.....	EN-46
	Limited Warranty.....	EN-47

This is a “Table of Contents preview” for quality assurance

The full manual can be purchased from our store:

[https://the-checkout-tech.com/manuals/ohaus/Discovery instruction manual.html](https://the-checkout-tech.com/manuals/ohaus/Discovery%20instruction%20manual.html)

And our free Online Keysheet maker:

<https://the-checkout-tech.com/Cash-Register-Keysheet-Creator/>

[HTTPS://THE-CHECKOUT-TECH.COM](https://THE-CHECKOUT-TECH.COM)