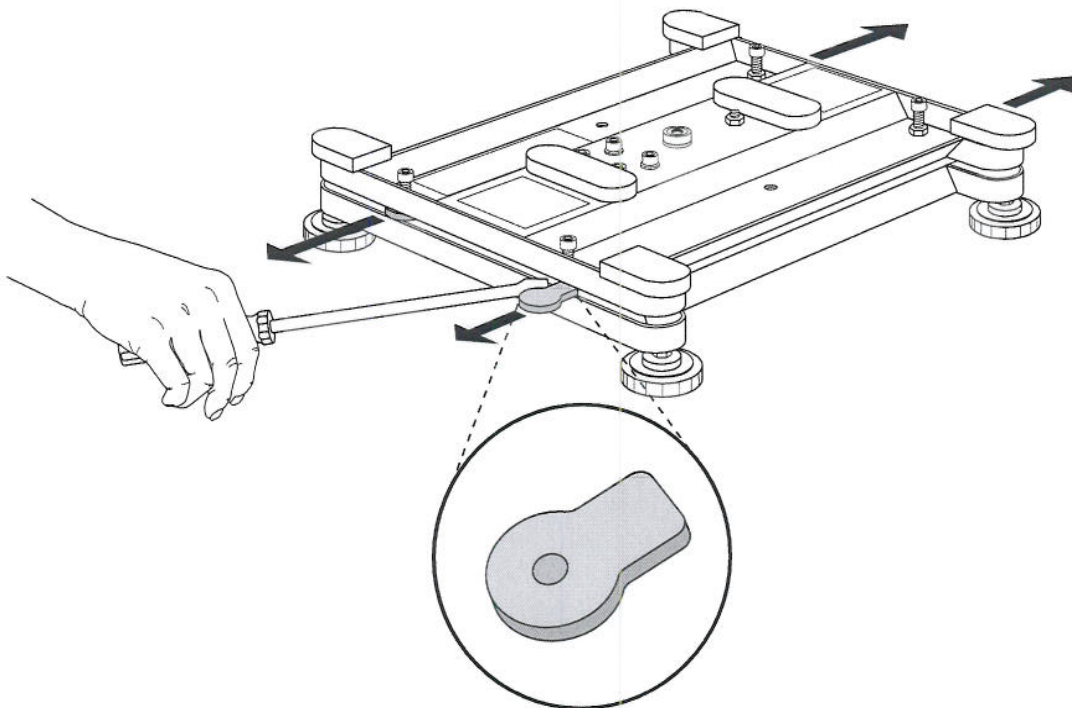
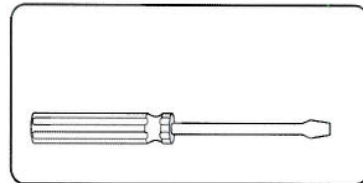




# DEFENDER SERIES SCALES



Remove Shipping  
Spacers Before Use.



\* 8 0 2 5 1 0 5 2 \*

P/N 80251052 © Ohaus Corporation 2007, all rights reserved.

Printed in China

This is a “Table of Contents preview” for quality assurance

The full manual can be found at <http://the-checkout-tech.com/estore/catalog/>

We also offer free downloads, a free keyboard layout designer, cable diagrams, free help and support.

<http://the-checkout-tech.com> : *the biggest supplier of cash register and scale manuals on the net*