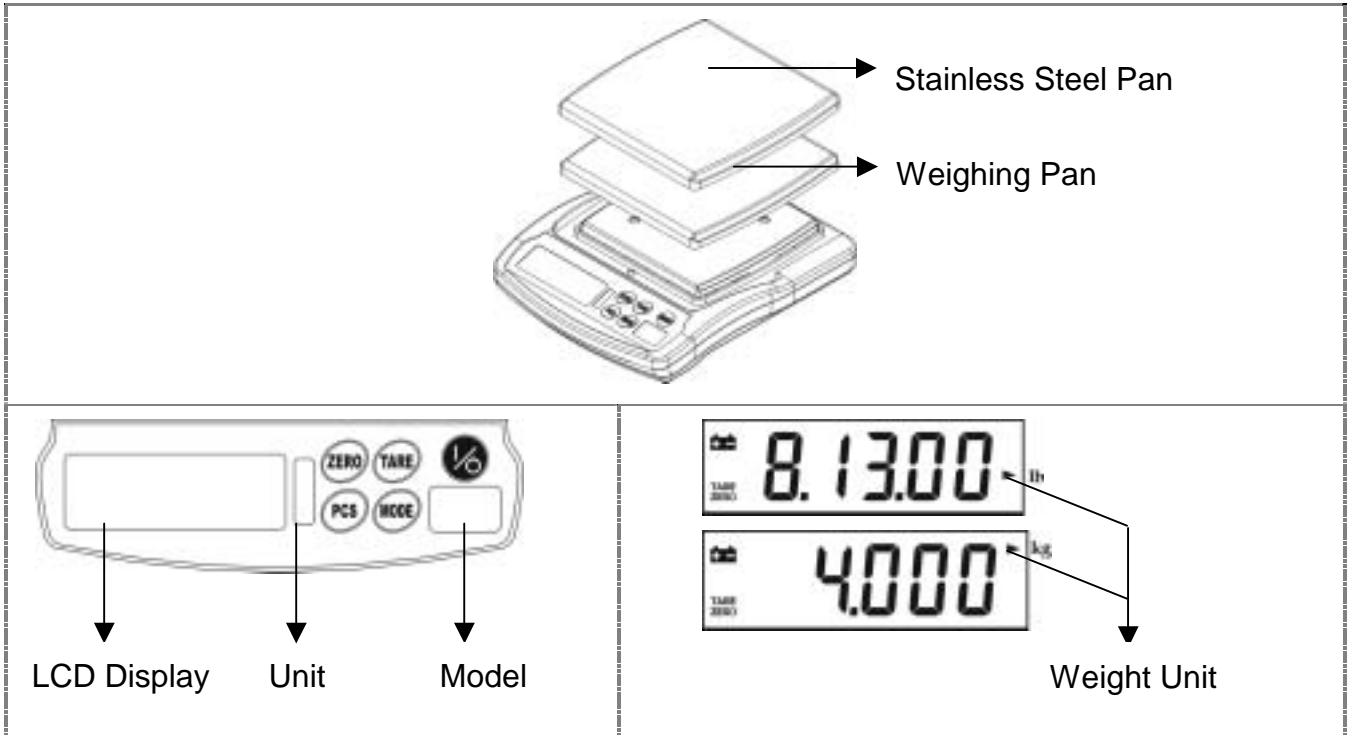


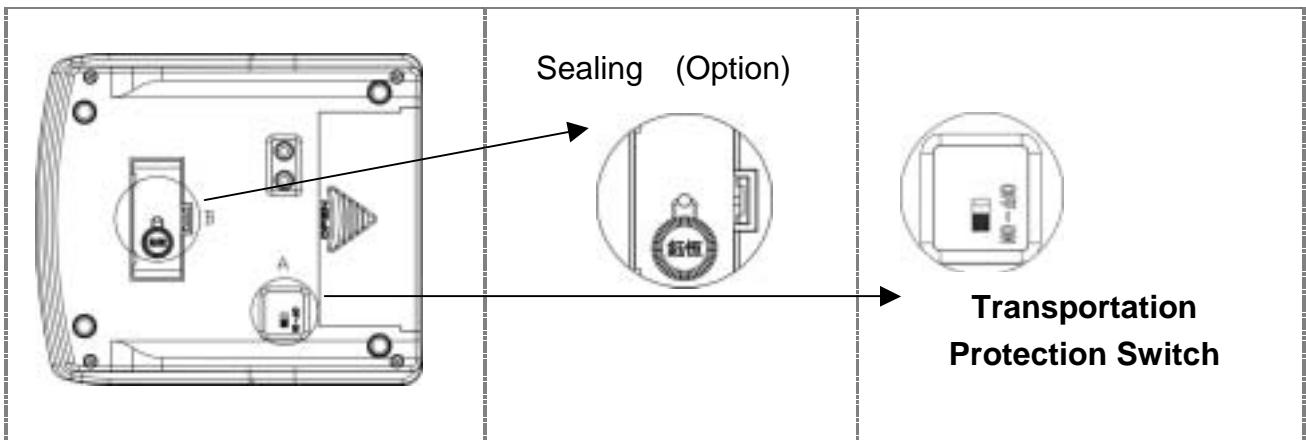
USER'S MANUAL JKH

Product overview :

■ Top View



■ Bottom View



1. Before using the scale, switch the Transportation Protection Switch to ON”
2. If the scale is not on used for a very long time, you may switch the Transportation Protection Switch to “OFF” for protection of load cell and energy saving.

This is a “Table of Contents preview” for quality assurance

The full manual can be found at <http://the-checkout-tech.com/estore/catalog/>

We also offer free downloads, a free keyboard layout designer, cable diagrams, free help and support.

<http://the-checkout-tech.com> : *the biggest supplier of cash register and scale manuals on the net*