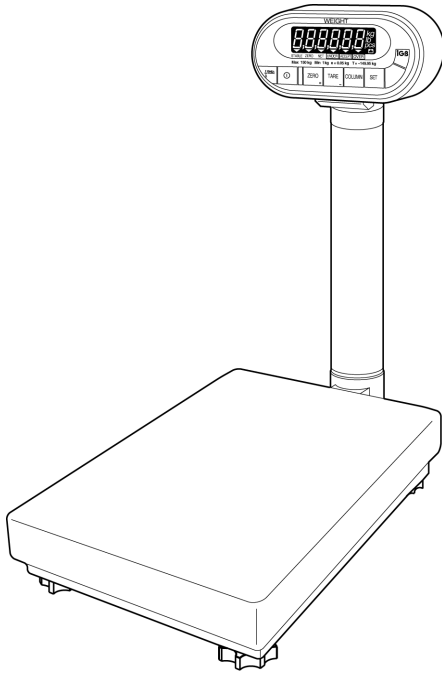


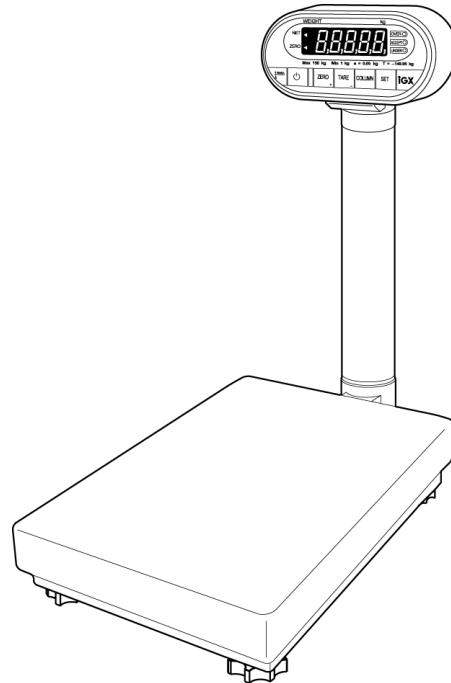


IGB/IGX Series (Overseas Specifications) Service Manual

The First Edition



IGB Series



IGX Series



Warning

- Read this manual thoroughly and do not perform installation, operation, maintenance, or inspection unless you fully understand all of the contents.
- Keep this manual in a safe place where you can refer to it easily while installing, operating, and carrying out maintenance or inspections.

This manual is for use by service personnel of our company or qualified to perform maintenance services for this machine. Use by anyone except the above personnel is not permitted.

CONTENTS

CHAPTER 1. PRODUCT OVERVIEW	3
1.1 Machine Outline.....	3
1.2 Standard Specifications	3
1.3 Appearance	5
1.4 Display Unit	6
1.5 Outer Dimensions	7
CHAPTER 2 TEST MODE.....	9
2.1 Operation.....	9
2.1.1 Starting Each Mode	9
2.1.2 Ending Test Mode	9
2.1.3 Test Mode Flow	10
2.1.4 Key Functions.....	10
2.1.5 Mode List.....	11
2.2 C1 Mode (Country No., Scale No., Zero point, Span adjustment).....	12
2.2.1 Country No. Table.....	12
2.2.2 Scale No. Table	13
2.2.3 Operation Procedure	14
2.3 C2 Mode: Key Check.....	18
2.4 C3 Mode: Display Check 1 (Simplified Check)	18
2.5 C4 Mode: Display Check 2 (Detailed Check).....	19
2.6 C5 Mode: Program No Display	19
2.7 C6 Mode: RAM Clear and E2ROM Clear	20
2.8 C7 Mode: Weighing Condition Setting	21
2.9 C8 Mode: E2ROM Data Reading.....	24
2.10 C9 Mode: Board Inspection (A/D Check, I/F Check).....	26
CHAPTER 3 HARDWARE CONFIGURATION	27
3.1 Mechanical Parts	27
3.1.1 Load Cell	30
3.2 Electric Parts (IGB Series).....	31
3.2.1 IGB Block Diagram	31
3.2.2 Main Board (PS-018).....	32
3.2.3 Power Board (PS-019)	33
3.3 Electric Parts (IGX Series).....	34
3.3.1 IGX Block Diagram	34
3.3.2 Main Board (PS-016).....	35
CHAPTER 4 MAINTENANCE.....	37
4.1 Disassembly Procedure for Display Unit.....	37
4.2 Replacement of Main Board	38
4.2.1 IGB Series	38
4.2.2 IGX Series	39
4.3 Replacing and Adjusting Load Cell	41
4.3.1 Checking and Adjusting Gap of Four-corner Limit	42
4.3.2 Performing Zero Point and Span Adjustments	43
4.4 Troubleshooting.....	44

This is a “Table of Contents preview” for quality assurance

The full manual can be found at <http://the-checkout-tech.com/estore/catalog/>

We also offer free downloads, a free keyboard layout designer, cable diagrams, free help and support.

<http://the-checkout-tech.com> : *the biggest supplier of cash register and scale manuals on the net*