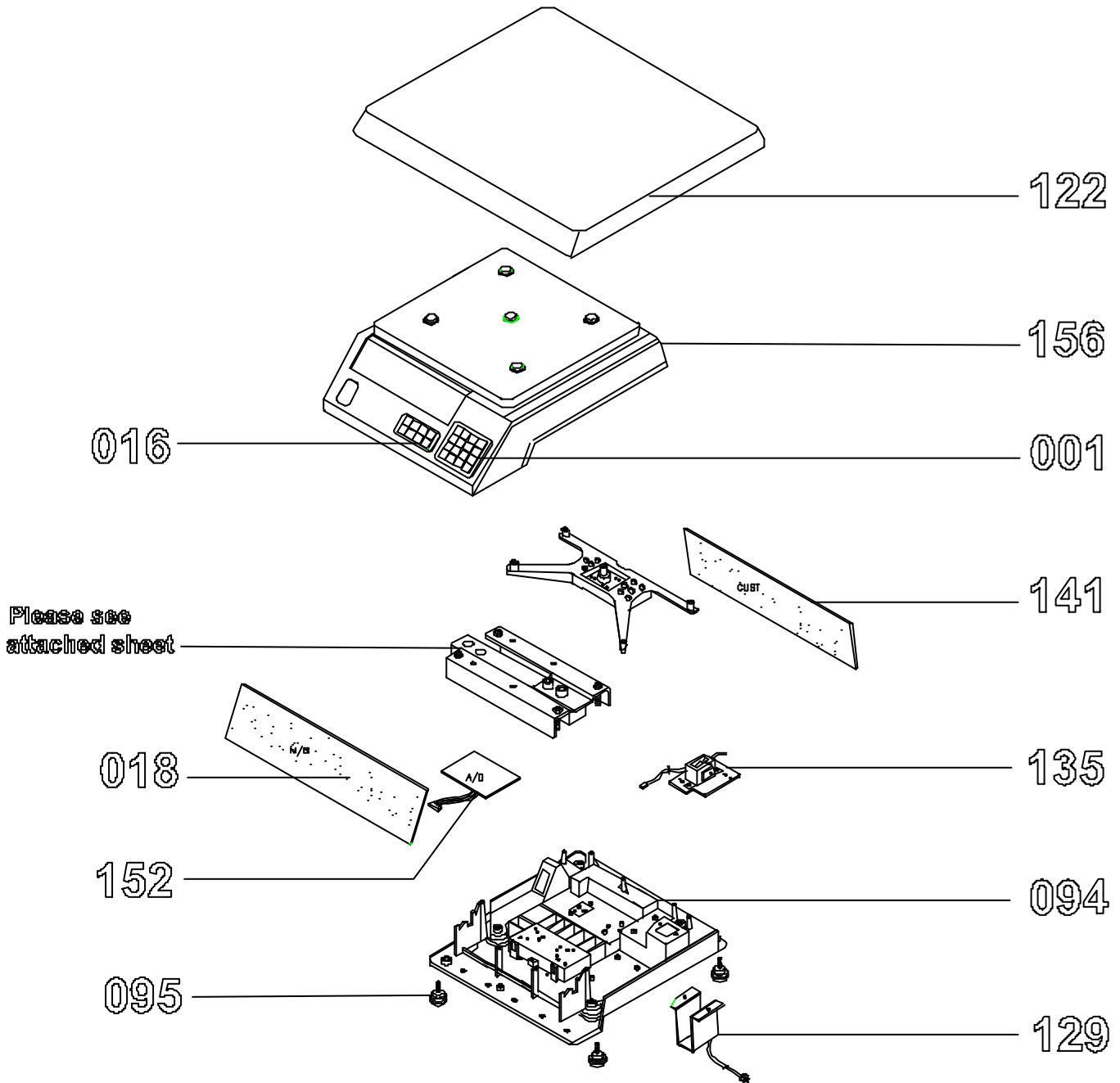


DS-788 Exploded view



DS-788 PARTS CATALOG

STE SERVICE

World 1st , Edition

No.	LEVEL	PARTS CODE	DESCRIPTION	REMARK
001	1	41012605100400	KEYSHEET AD (MAIN KEY PRESET)	
002	1	41012650103000	PRINTASSY BD (OP, 30KG/M, EX)	
003	1	41012650103100	PRINTASSY BE (CUST, 30KG/M, EX)	
002	1	41012650103000	PRINTASSY BD (OP, 30KG/M, EX)	
003	1	41012650103100	PRINTASSY BE (CUST, 30KG/M, EX)	
004	1	41012650100300	PRINTASSY AC (OP, 15KG, EX)	
005	1	41012650100400	PRINTASSY AD (CUST, 15KG, EX)	
006	1	41012650101200	PRINTASSY AL (OP, 3KG, EX)	
007	1	41012650101300	PRINTASSY AM (CUST, 3KG, EX)	
008	1	41012650101400	PRINTASSY AN (OP, 6KG, EX)	
009	1	41012650101600	PRINTASSY AM (CUST, 6KG, EX)	
010	1	41012606100500	NAMEPLATE AE (DS788 EX 120V)	
011	1	41012606100100	NAMEPLATE AA (DS788 CN)	
012	1	41012606100200	NAMEPLATE AB (DS788 STD)	
013	1	41012606100300	NAMEPLATE AC (DS788 EC)	
014	1	41012606100400	NAMEPLATE AD (DS788 HK)	
015	1	41012606100600	NAMEPLATE AF (DS788 30LB UU)	
016	1	41012605100200	KEYSHEET AB (PRESET, KEY)	
017	1	41012608000200	SHEET AB (DS-788, EX)	

This is a “Table of Contents preview” for quality assurance

The full manual can be found at <http://the-checkout-tech.com/estore/catalog/>

We also offer free downloads, a free keyboard layout designer, cable diagrams, free help and support.

<http://the-checkout-tech.com> : *the biggest supplier of cash register and scale manuals on the net*