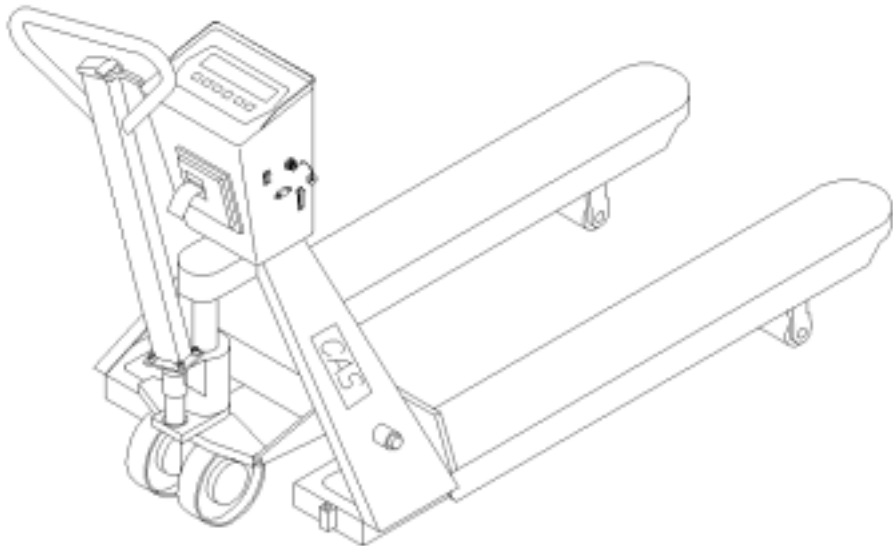


# PALLET SCALE

## CPS SERIES

### OWNER'S MANUAL



# CAS

<h1>Table of Contents</h1>		
<b>1.</b>	<b>PREFACE</b>	<b>3</b>
<b>2.</b>	<b>OVERALL VIEW</b>	<b>4</b>
<b>3.</b>	<b>SPECIFICATIONS</b>	<b>5</b>
<b>4.</b>	<b>DIMENSIONS</b>	<b>5</b>
<b>5.</b>	<b>FRONT PANEL</b>	<b>6</b>
<b>6.</b>	<b>RS-232C (OPTION)</b>	<b>8</b>
<b>7.</b>	<b>OPERATIONS</b>	<b>10</b>
<b>8.</b>	<b>HOW TO CHARGE</b>	<b>12</b>
<b>9.</b>	<b>TEST MODE</b>	<b>13</b>
<b>10.</b>	<b>SET MODE</b>	<b>14</b>
<b>11.</b>	<b>ERROR MESSAGE AND TROUBLE SHOOTING</b>	<b>19</b>

This is a “Table of Contents preview” for quality assurance

The full manual can be found at <http://the-checkout-tech.com/estore/catalog/>

We also offer free downloads, a free keyboard layout designer, cable diagrams, free help and support.

<http://the-checkout-tech.com> : *the biggest supplier of cash register and scale manuals on the net*