



CL5000 Series

Network's Manual

(English)

Rev. 2005. 07.12

F/W Version. 1.00, 1.01, 1.02, 1.03, 1.04, 1.08

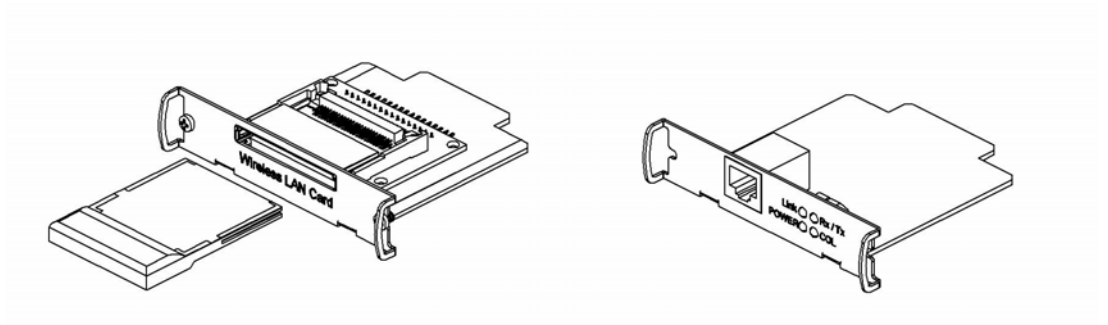




Table of Contents

1. Introduction.....	4
Getting started	4
1.1 Network card	5
1.2. Install Network card	6
2. Scale and System Configuration.....	8
2.1. General Terms	8
2.2. How to set Network method and scale	9
2.2.1. PC Control	9
2.2.2. Floating Clerk (Vender)	13
2.3. Wireless LAN.....	18
3. Application	19
3.1. Time Synchronize	19
3.2. Remote Call PLU.....	20
4. Protocol.....	21
4.1. General.....	21
4.2. Table 1	27
4.2.1. Department	27
4.3.2. Group	29
4.3.3. Label Message.....	30
4.3.4. Origin	31
4.3.5. PCS.....	32
4.3.6. Tax.....	33
4.3.7. Tare	34
4.3.8. Barcode Type.....	35
4.3. Table2	36
4.3.1. Ingredient.....	36
4.3.2. Nutrition Facts.....	37
4.3.3. Traceability	39
4.3.4. Country	40
4.3.5. Slaughter House	41
4.3.6. Cutting Hall.....	42



- 4.4. Store, Customer, Scroll Message and Clerk Table 43**
 - 4.4.1. Store 43
 - 4.4.2. Customer 44
 - 4.4.3. Scroll Message 45
 - 4.4.4. Clerk 46
- 4.5. Discount Table 47**
- 4.6. Report 49**
- 4.7. Label and Image 53**
 - 4.7.1. Label format 53
 - 4.7.2. Bitmap size (for printing size allowance) 53
 - 4.7.3. Data File 54
 - 4.7.4. Transfer 56
- 4.8. Keypad 58**
 - 4.8.1. Speed Key Set 58
 - 4.8.2. Function Key setting 59
- 4.9. Other 60**
 - 4.9.1. Date / Time 60
 - 4.9.2. System Password 61
 - 4.9.3. Scale Information 61
 - 4.9.4. Weight 62
- 4.10. PLU Field Control 63**
- 5. Internal Communication 64**
 - 5.1 Transaction Number 64
- 6. Example 64**
 - 6.1. PLU 64
 - 6.2. Department 66
 - 6.3. Ingredient 67
 - 6.4. Barcode Format 67
 - 6.5. Discount 69
 - 6.6. Report 71
 - 6.7. Label and Image 71
- 4. Reference 72**
 - Ref 1. Use of Terms 72

This is a “Table of Contents preview” for quality assurance

The full manual can be found at <http://the-checkout-tech.com/estore/catalog/>

We also offer free downloads, a free keyboard layout designer, cable diagrams, free help and support.

<http://the-checkout-tech.com> : *the biggest supplier of cash register and scale manuals on the net*