

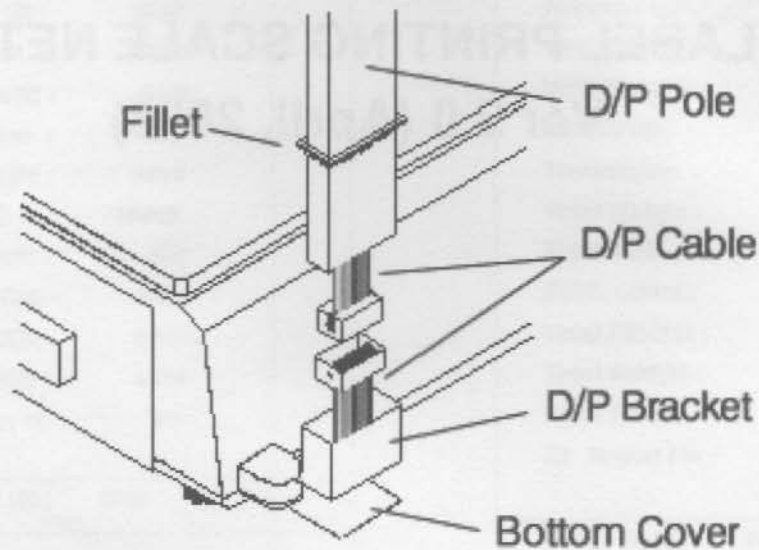
**SERVICE MANUAL**  
**LABEL PRINTING SCALE NETS**  
**Ver 2.0 (April. 2006)**

**ACOM Inc.**

Specifications are subject to change without notice to improve  
Vol. No. N200604

## CHAPTER I. INSTALLATION

### 1. UNPACKING AND ASSEMBLY



- 1). Connect the D/P Cable.
- 2). Put in display assembly into the display bracket of the scale body.
- 3). Fasten the display pole with two of M4 screws.
- 4). Arrange the harness wire into the display pole.
- 5). Fasten the bottom cover on the display bracket with four of M3 screws

### 2. PRECAUTIONS

- 1). Place the scale on a flat and rigid desk that is free of vibrations
- 2). Place the scale out of direct sunlight
- 3). Do not place the scale near the radio device emits strong electromagnetic fields
- 4). Do not apply a sudden impact to the platter
- 5). Always level the scale
- 6). Do not spill the water on the scale
- 7). Do not use cleaners which includes solvent or sinner
- 8). Scale should be calibrated by authorized person prior to being used
- 9). Turn on the scale 10 minutes before using

This is a “Table of Contents preview” for quality assurance

The full manual can be purchased from our store:

[https://the-checkout-tech.com/manuals/acom/NETS Service including calibration manual](https://the-checkout-tech.com/manuals/acom/NETS%20Service%20including%20calibration%20manual)

And our free Online Keysheet maker:

<https://the-checkout-tech.com/Cash-Register-Keysheet-Creator/>

[HTTPS://THE-CHECKOUT-TECH.COM](https://the-checkout-tech.com)