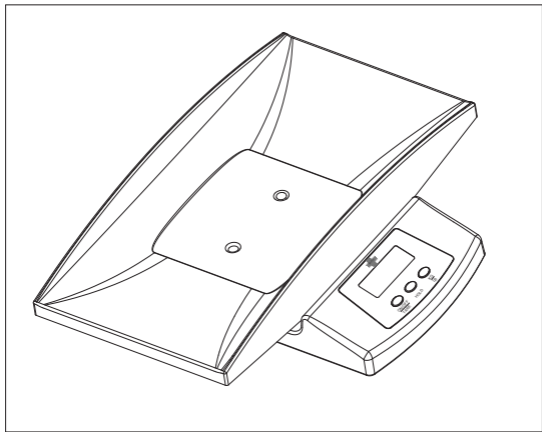


ELECTRONIC BABY SCALES

INSTRUCTIONS FOR USE



This is a “Table of Contents preview” for quality assurance

The full manual can be purchased from our store:

<https://the-checkout-tech.com/manuals/Accuweigh/Baby Scale guide manual.html>

And our free Online Keysheet maker:

<https://the-checkout-tech.com/Cash-Register-Keysheet-Creator/>

[HTTPS://THE-CHECKOUT-TECH.COM](https://THE-CHECKOUT-TECH.COM)