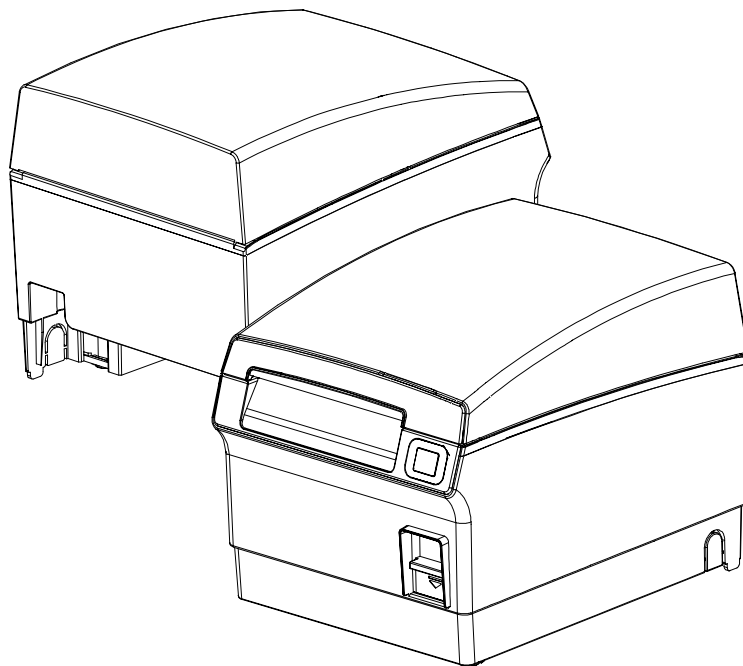


BIXOLON®

User's Manual
SRP-F310/312

Front Exit Thermal Printer
Rev. 1.00



<http://www.bixolon.com>

■ Table of Contents

1. Setting Up the Printer 7

- 1-1 Unpacking..... 7
- 1-2 Connecting the Cables 8
 - 1-2-1 Serial Interface (RS-232C) 8
 - 1-2-2 Parallel Interface (IEEE1284) 9
 - 1-2-3 USB Interface 10
- 1-3 Connecting the Drawer 10
- 1-4 Setting the Dip Switches..... 11
 - 1-4-1 Serial Interface 11
 - 1-4-2 Parallel & USB Interface 11
- 1-5 Installing or Replacing the Paper Roll..... 12
- 1-6 Adjustments and Settings 14
- 1-7 Using the Printer 14
- 1-8 Connecting the computer..... 15
- 1-9 Connecting the Power Supply 15

2. Self Test..... 16

3. Hexadecimal Dumping 17

4. Specification 18

5. Appendix 19

- 5-1 Cleaning Printer 19

This is a “Table of Contents preview” for quality assurance

The full manual can be purchased from our store:

[https://the-checkout-tech.com/manuals/Samsung/SRP-F310 and SRP-F312 user manual](https://the-checkout-tech.com/manuals/Samsung/SRP-F310%20and%20SRP-F312%20user%20manuals/)

And our free Online Keysheet maker:

<https://the-checkout-tech.com/Cash-Register-Keysheet-Creator/>

[HTTPS://THE-CHECKOUT-TECH.COM](https://THE-CHECKOUT-TECH.COM)