

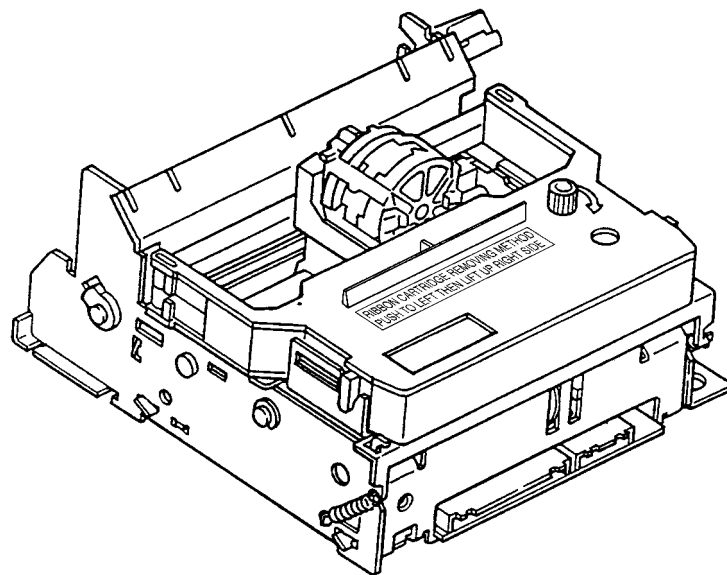
# CITIZEN

## *Service Manual*

---

### DOT MATRIX PRINTER MECHANISM MODEL DP-650 SERIES

Rev.1.00 Newly issued on Oct, 1999



Japan CBM Corporation

# **TABLE OF CONTENTS**

**INTRODUCTION**

**SECTION 1 HANDLING & MAINTENANCE OF PRINTER**

**SECTION 2 OUTLINE & OPERATING PRINCIPLES**

**SECTION 3 TROUBLESHOOTING**

**SECTION 4 DISASSEMBLY & REASSEMBLY**

**SECTION 5 PARTS LIST**

**APPENDICES**

This is a “Table of Contents preview” for quality assurance

The full manual can be found at <http://the-checkout-tech.com/estore/catalog/>

We also offer free downloads, a free keyboard layout designer, cable diagrams, free help and support.

<http://the-checkout-tech.com> : *the biggest supplier of cash register and scale manuals on the net*