

# SHARP SERVICE MANUAL

CODE : 00ZUPS02MBSME

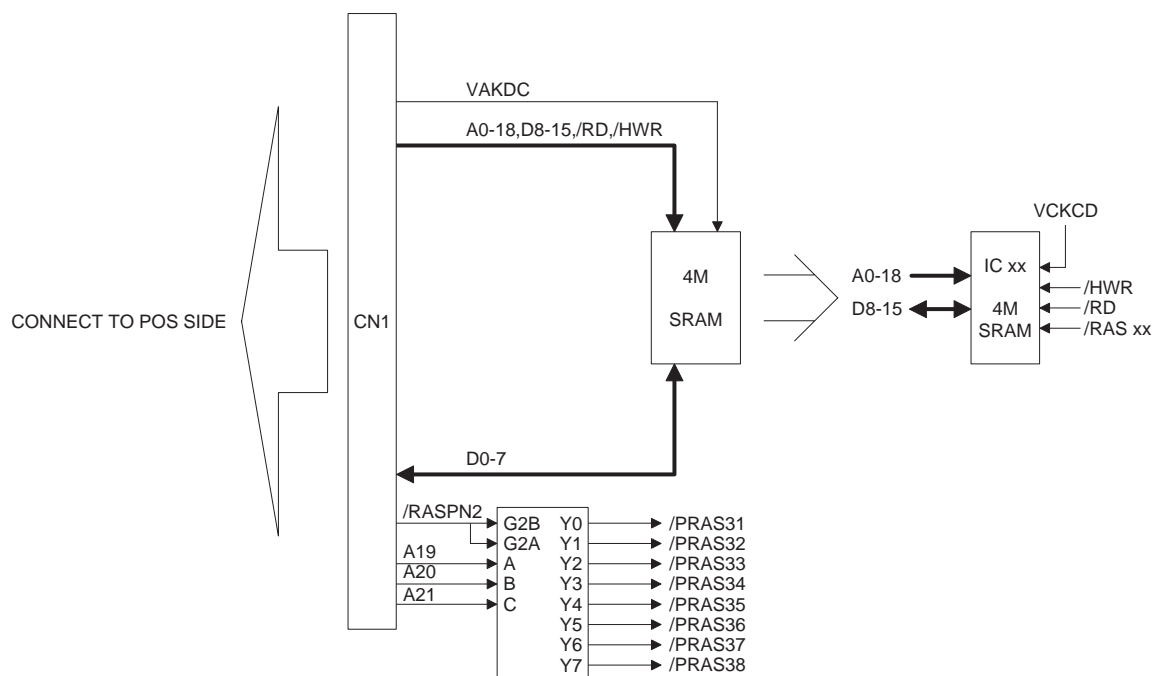
## EXPANSION RAM DISK BOARD

# UP-S02MB MODEL UP-S04MB

### 1. CIRCUIT DESCRIPTION

#### 1) BLOCK DIAGRAM

MODEL	CAPACITY	No. of RAMs used	RAM LOCATION (Chip select signal)								
			IC1 (/RAS31)	IC2 (/RAS32)	IC3 (/RAS33)	IC4 (/RAS34)	IC6 (/RAS35)	IC7 (/RAS36)	IC8 (/RAS37)	IC9 (/RAS38)	
UP-S02MB	2M bytes	4M bits x 4	○	○	○	○	—	—	—	—	
UP-S04MB	4M bytes	4M bits x 8	○	○	○	○	○	○	○	○	



### 2. OTHERS

For Diagnostic operations, refer to the Service Manual of the POS to which it is connected.

Parts marked with "△" are important for maintaining the safety of the set. Be sure to replace these parts with specified ones for maintaining the safety and performance of the set.

[Click here to download the full manual at THE-CHECKOUT-TECH.COM](http://THE-CHECKOUT-TECH.COM)