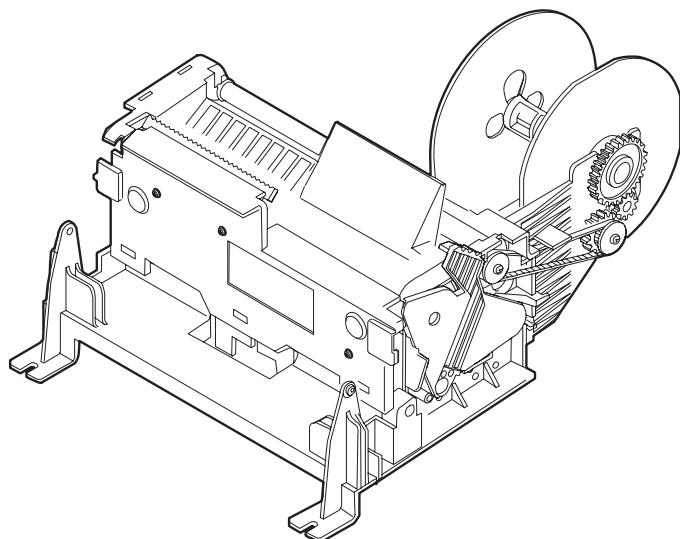


SHARP SERVICE MANUAL

CODE: 00ZPR58HMSM/E



THERMAL PRINTER

MODEL PR-58HM

CONTENTS

CHAPTER 1. SPECIFICATIONS	1
CHAPTER 2. OUTLINE OF DRIVING CIRCUIT	3
CHAPTER 3. HANDLING THE PRINTER	5
CHAPTER 4. MAINTENANCE	7
CHAPTER 5. TROUBLESHOOTING	8
CHAPTER 6. DISASSEMBLY AND ASSEMBLY	12
CHAPTER 7. PWB LAYOUT	21

PARTS GUIDE (Printer assembly: Ki-OB2009BHZZ)

APPLICATION MODEL : UP-700 ("U" & "A" version)

This is a “Table of Contents preview” for quality assurance

The full manual can be found at <http://the-checkout-tech.com/estore/catalog/>

We also offer free downloads, a free keyboard layout designer, cable diagrams, free help and support.

<http://the-checkout-tech.com> : *the biggest supplier of cash register and scale manuals on the net*