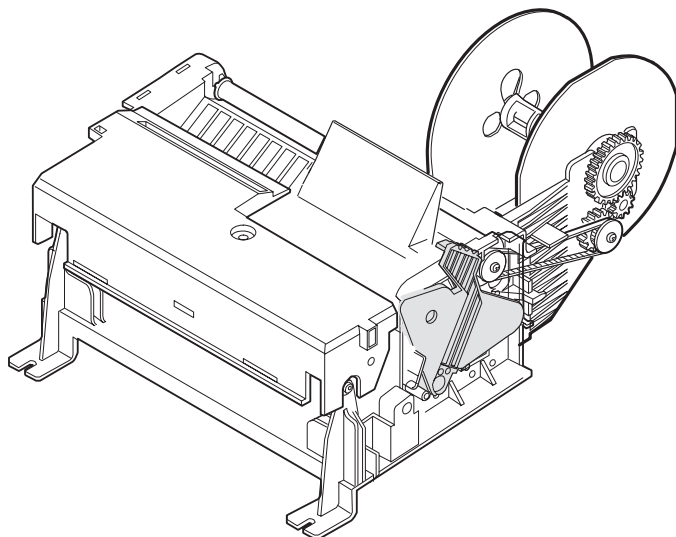


SHARP SERVICE MANUAL

CODE: 00ZPR58HASME



THERMAL PRINTER

MODEL PR-58HA

CONTENTS

CHAPTER 1. SPECIFICATIONS	1
CHAPTER 2. OUTLINE OF DRIVING CIRCUIT	3
CHAPTER 3. HANDLING THE PRINTER	5
CHAPTER 4. MAINTENANCE	7
CHAPTER 5. TROUBLESHOOTING	8
CHAPTER 6. DISASSEMBLY AND ASSEMBLY	12
CHAPTER 7. PWB LAYOUT	22
PARTS GUIDE (Ki-OB2010BHZZ)	
APPLICATION MODEL : UP-600V/700V	

[Click here to download the full manual at THE-CHECKOUT-TECH.COM](http://THE-CHECKOUT-TECH.COM)