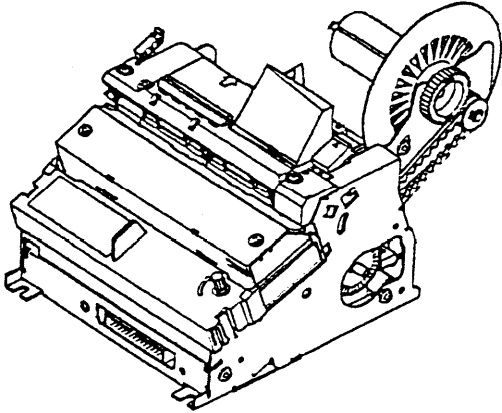


SHARP SERVICE MANUAL

CODE: 00ZM820SM//E



IMPACT DOT MATRIX PRINTER

MODEL M-820

CONTENTS

1.1 FEATURES	1-1
1.2 SPECIFICATIONS	1-1
1.3 SUMMARY OF MECHANISMS	1-2
1.4 OPERATING PRINCIPLES OF MECHANISMS	1-2
2.1 USE OF PRINTER	2-1
2.2 MAINTENANCE	2-5
2.3 LUBRICATION	2-6
2.4 INSTRUMENTS AND TOOLS	2-7
2.5 REPAIRS	2-8
3.1 DISASSEMBLY	3-1
3.2 ASSEMBLY	3-1
3.3 ADJUSTMENTS	3-55
PARTS GUIDE (For : KI-OB6753RCZZ)	

Chapter 1

Features, Specifications, Operating Principles

Table of Contents

1.1	Features	1-1
1.2	Specifications	1-1
1.3	Summary of mechanisms	1-2
1.4	Operating principles of mechanisms	1-2
1.4.1	Transmission mechanism	1-2
	Paper feeding gear system	1-2
	Lead gear system	1-2
1.4.2	Detection mechanism	1-3
	Timing detection mechanism	1-3
	Reset detection mechanism	1-3
	Validation detection mechanism	1-3
	Low paper detection mechanism	1-3
1.4.3	Print mechanism	1-4
	Movement of the print head unit	1-4
	Printing principles of head	1-4
1.4.4	Paper feeding mechanism	1-5
	Paper feeding mechanism	1-5
	Paper feeding operation	1-5
	Paper feeding clutch spring movement	1-6
	Paper extension mechanism	1-6
	Release mechanism	1-6
1.4.5	Clamshell mechanism	1-6
1.4.6	Ribbon feeding mechanism	1-7
1.4.7	Stamp mechanism	1-7
1.4.8	Auto-cutter mechanism	1-8
	Full cutter mechanism	1-8
	Full/partial cutter mechanism	1-8
1.4.9	Paper take-up mechanism	1-10

[Click here to download the full manual at THE-CHECKOUT-TECH.COM](http://THE-CHECKOUT-TECH.COM)