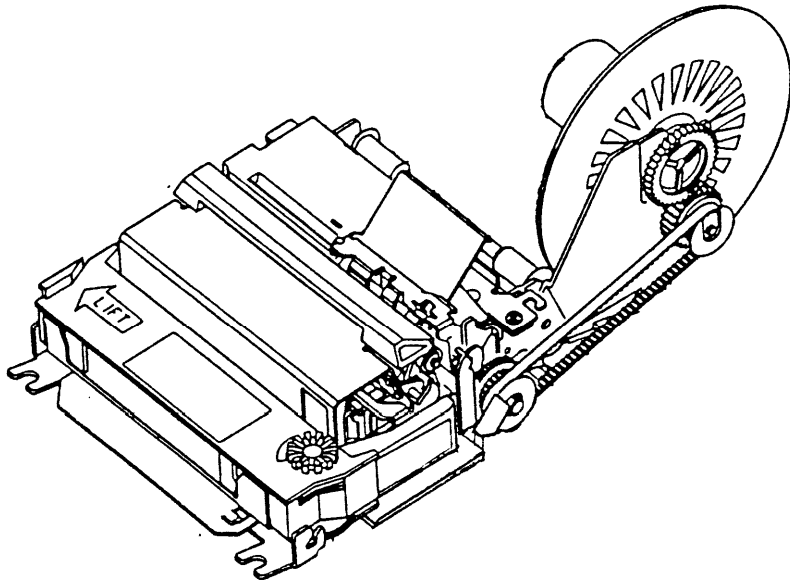


SHARP SERVICE MANUAL

CODE : 00ZM280V/SM-E



IMPACT DOT MATRIX PRINTER

MODEL **M-280V**

(FOR ER-3210, ER-2975)

CONTENTS

1.1 OVERVIEW	1
1.2 OPERATING PRINCIPLES	4
2.1 HANDLING THE PRINTER.....	18
2.2 MAINTENANCE.....	21
2.3 LUBRICATION	22
2.4 TOOLS AND LUBRICANTS	23
2.5 REPAIR	23
3.1 DISASSEMBLY	29
3.2 ASSEMBLY	29
3.3 ADJUSTMENTS.....	60
4 Parts Guide	

[Click here to download the full manual at THE-CHECKOUT-TECH.COM](http://THE-CHECKOUT-TECH.COM)