

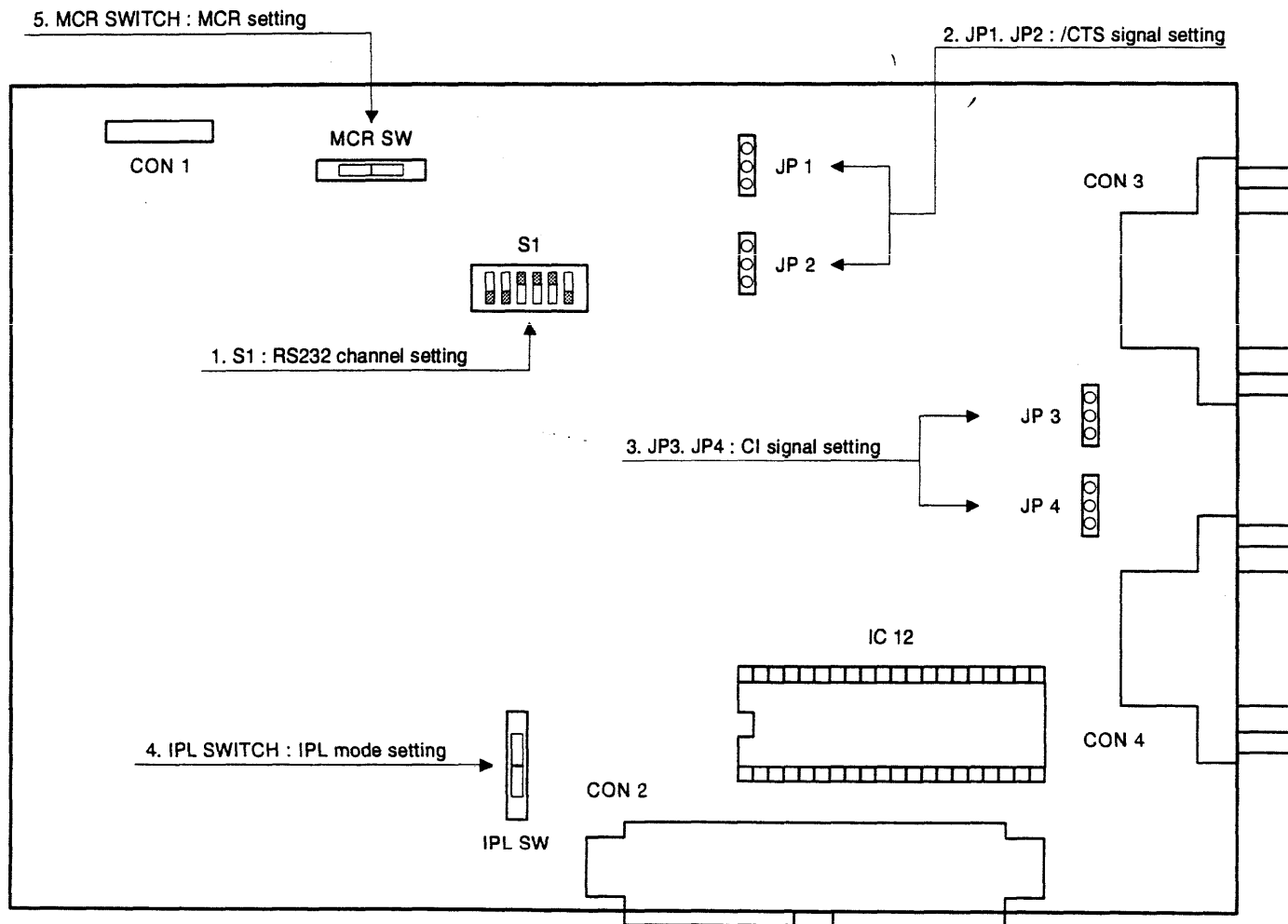
SHARP SERVICE MANUAL

CODE: 00ZERA7RSSM/E

ECR/POS TERMINAL OPTION RS-232 INTERFACE

MODEL ER-A7RS

ER-A7RS SWITCH SETTING



Parts marked with "⚠" is important for maintaining the safety of the set. Be sure to replace these parts with specified ones for maintaining the safety and performance of the set.

This is a “Table of Contents preview” for quality assurance

The full manual can be purchased from our store:

[https://the-checkout-tech.com/manuals/sharp/ER-A7RS option service RS232 manual.htm](https://the-checkout-tech.com/manuals/sharp/ER-A7RS_option_service_RS232_manual.htm)

And our free Online Keysheet maker:

<https://the-checkout-tech.com/Cash-Register-Keysheet-Creator/>

[HTTPS://THE-CHECKOUT-TECH.COM](https://THE-CHECKOUT-TECH.COM)