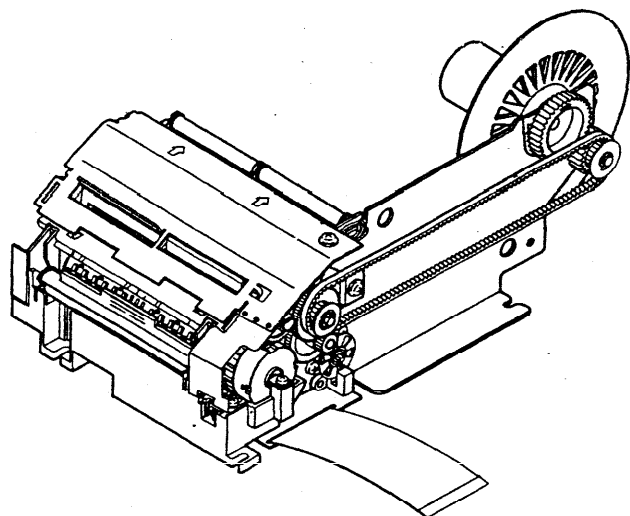


SHARP

SERVICE MANUAL

CODE: 00ZCR750SM/-E



DIGITAL PRINTER

MODEL CR-750

CONTENTS

1.1 SPECIFICATIONS	1-1
1.2 OPERATING PRINCIPLES	1-2
2.1 HANDLING THE PRINTER	2-1
2.2 MAINTENANCE	2-3
2.3 APPLICATION OF LUBRICATION	2-3
2.4 TOOLS AND LUBRICANTS	2-4
2.5 REPAIR	2-5
3.1 DISASSEMBLY	3-1
3.2 ASSEMBLY	3-1
3.3 ADDJUSTMENT	3-19

■ PARTS GUIDE (FOR "KI-OB6766RCZZ")

CHAPTER 1

SPECIFICATIONS AND OPERATING PRINCIPLES

CONTENTS

1.1	SPECIFICATIONS	1-1
1.1.1	Features	1-1
1.1.2	Specifications	1-1
1.1.3	Mechanisms	1-2
1.2	OPERATING PRINCIPLES	1-2
1.2.1	Paper Feed Motor Transmission Mechanism	1-2
1.2.2	Detector Mechanism	1-2
1.2.3	Typeface Motor Mechanism	1-3
1.2.4	Printing Mechanism	1-4
1.2.5	Inking Mechanism	1-5
1.2.6	Paper Feeding Mechanism	1-5
1.2.7	Stamping Mechanism	1-6
1.2.8	Take-up Mechanism	1-7

[Click here to download the full manual at THE-CHECKOUT-TECH.COM](http://THE-CHECKOUT-TECH.COM)