

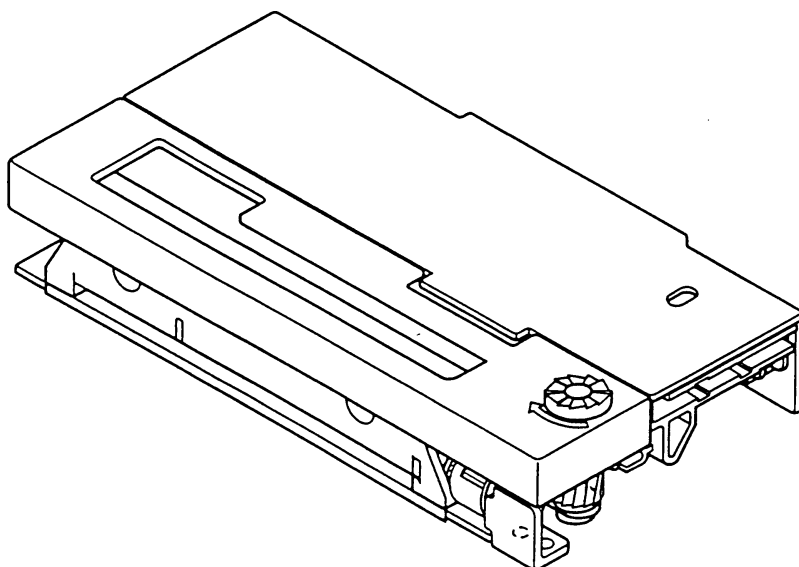
# TECHNICAL MANUAL

(without price)

## DOT PRINTER

# MD-910

JAN. 1997



**INDEX**

# CASIO®

# Contents

1	Printer usage and Care .....	1
2	Specifications/Operating principles .....	2
2-1	Specifications .....	2
2-2	Outline of mechanism .....	3
2-3	Mechanism and operation principles .....	3
2-3-1	Power transmission mechanism .....	3
2-3-2	Sensor mechanisms .....	4
2-3-3	Print head mechanism .....	5
2-3-4	Paper feed mechanism .....	8
2-3-5	Ribbon cartridge drive mechanism .....	11
2-4	External connection terminals .....	11
2-4-1	Terminal arrangement .....	11
2-4-2	Terminal mechanism .....	12
2-4-3	Terminal circuit diagram .....	12
3	Disassembly/Reassembly .....	13
3-1	Tools .....	13
3-2	Disassembly procedure .....	13
3-3	Assembly procedure .....	14
3-3-1	Setting paper feed solenoid assembly .....	14
3-3-2	Setting the head assembly .....	15
3-3-3	Setting the paper feed assembly .....	16
3-3-4	Setting the main body assembly .....	18
4	Parts list .....	26
5	Exploded view .....	28

[Click here to download the full manual at THE-CHECKOUT-TECH.COM](http://THE-CHECKOUT-TECH.COM)