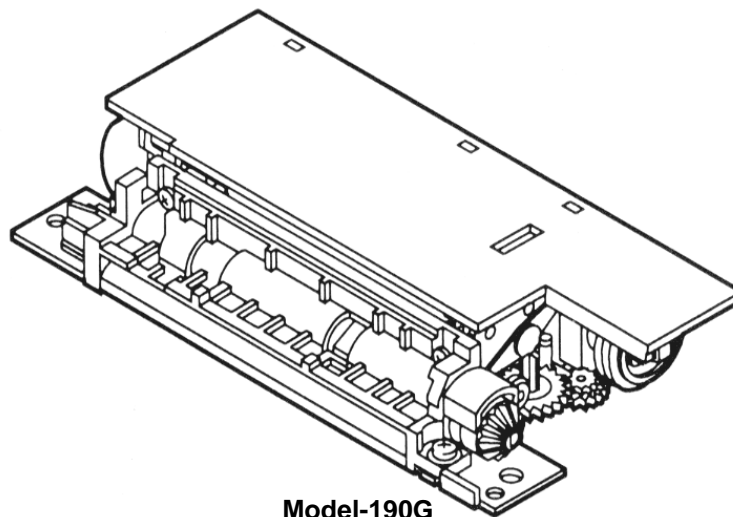


# SERVICE MANUAL & PARTS LIST (without price)

## impact dot matrix printer M-190G

DEC 1999



Model-190G

# CASIO®

# CONTENTS

## 1. OVERVIEW AND OPERATING PRINCIPLE

1.1 OVERVIEW .....	1
1.1.1 Characteristics .....	1
1.1.2 General Specifications .....	1
1.1.3 Overview of the Mechanism Section .....	4
1.2 OPERATION PRINCIPLE .....	5
1.2.1 Transmission Mechanism .....	5
1.2.2 Detector Mechanism .....	6
1.2.3 Print Mechanism .....	8
1.2.4 Paper Feeding Mechanism .....	10
1.2.5 Ribbon Feeding .....	15

## 2. HANDLING, MAINTENANCE, AND REPAIR

2.1 HANDLING .....	17
2.1.1 Handling the Printer Unit .....	17
2.1.2 Loading Paper .....	20
2.1.3 Replacing the Ribbon Cassette .....	21
2.1.4 Cleaning paper jams .....	23
2.2 MAINTENANCE .....	24
2.2.1 Cleaning .....	24
2.2.2 Inspection .....	24
2.3 REPAIR .....	25
2.3.1 Repair Levels .....	25
2.3.2 Repairing Procedure .....	25
2.3.3 Repairing Guide .....	26
2.4 OILING .....	31
2.4.1 Oil Types .....	31
2.4.2 Oiling Standard .....	31
2.4.3 Oiling Points ( Refer to Fig. 3-2 "Overall oiling diagram") .....	32
2.5 TOOLS AND OIL .....	34
2.5.1 Tool List .....	34
2.5.2 Oiling List .....	34

## 3. DISASSEMBLY AND REASSEMBLY

3.1 DISASSEMBLY .....	35
3.2 ASSEMBLY .....	35
Subassembly 1 .....	36
Main Assembly 1 .....	39
Main Assembly 2 .....	41
Main Assembly 3 .....	46
Main Assembly 4 .....	49
Main Assembly 5 .....	50
Main Assembly 6 .....	53
Main Assembly 7 .....	55
Main Assembly 8 .....	56
Main Assembly 9 .....	57
Main Assembly 10 .....	58
3.3 ADJUSTMENT .....	59
Adjusting the Platen Gap .....	59
3.4 M-190G/M192G PARTS NAME LIST .....	60
Overall Disassembly Diagram .....	61
3.5 OILING POINTS .....	62
Overall Oiling Diagram .....	64

4. PARTS LIST .....	65
---------------------	----

[Click here to download the full manual at THE-CHECKOUT-TECH.COM](http://THE-CHECKOUT-TECH.COM)