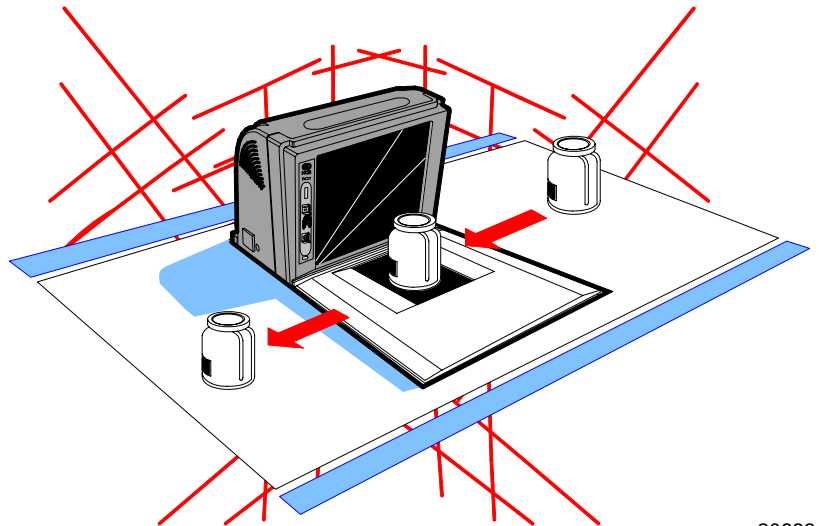


NCR RealScan 76

Release 1.0

Hardware Service Guide



20683

B005-0000-1653

Issue A

Table of Contents

Chapter 1: Functional Description

Active Scan Zone	1-3
Basic Operations	1-3
Firmware Flashing	1-4
Scan Patterns	1-4
Scanner/Scale Modules	1-6
Digital Board.....	1-6
Power Supply	1-7
Speaker	1-8
Scanner Modules	1-9
Laser Diode Modules.....	1-9
Spinner Motors	1-10
Video Boards.....	1-11
Optics Assemblies	1-12
Scale Modules	1-13
H-Bar.....	1-14
Load Cell	1-15
Calibration Switch	1-16

Chapter 2: Scale Calibration

Exercise the Scale	2-3
Access the Calibration Switch.....	2-3
RealScan 76-1xxx/2xxx.....	2-3
RealScan 76-42xx/52xx.....	2-4
RealScan 76-82xx	2-5
Connect Field Service Calibration Display	2-6

Perform Calibration Procedure	2-6
Increasing Load Test	2-9
Over Capacity Test	2-10
Decreasing Load Test.....	2-11
Shift Test	2-11
Secure Calibration Switch	2-12
RealScan 76-1xxx/2xxx.....	2-12
RealScan 76-82xx	2-13
RealScan 76-42xx/52xx.....	2-13

Chapter 3: Troubleshooting

Scanner Problems.....	3-2
Common Scanner Problems.....	3-2
Operable Scanner Problems.....	3-4
Inoperable Scanner Problems	3-5
Scale Problems.....	3-6
Common Scale Problems.....	3-6
Inoperable Scale Problems	3-9
Bizerba Scale	3-10
Service Repair	3-11
Replacement Parts and Tools.....	3-11
Procedure.....	3-11
Scan Doctor Functions.....	3-13
Power-On Wellness Check Functions	3-13
Power-On Wellness Check—Scanner	3-13
Power-On Wellness Check—Scale.....	3-16
On-Going Wellness Check Functions.....	3-21
On-Going Wellness Check—Scanner	3-21
On-Going Wellness Check—Scale	3-22

Service Diagnostics.....	3-26
Communication Protocol	3-27
Display Firmware Version.....	3-28
Display Parameter Changes	3-29
RS-232 Turnaround.....	3-29
Toad Test	3-30
Vibration Check.....	3-31
RS-232 Temporary Service Mode.....	3-33

Chapter 4: Component Replacement

Digital Board	4-1
Removing the Digital Board	4-3
Installing the Digital Board.....	4-4
Front Bezel.....	4-6
Removing Front Bezel	4-6
Installing Front Bezel.....	4-7
H-Bar	4-8
Removing H-Bar.....	4-9
Installing H-Bar	4-10
Horizontal Optics Assembly.....	4-11
Removing Horizontal Optics Assembly	4-11
Installing Horizontal Optics Assembly.....	4-12
Horizontal Spinner Motor	4-13
Removing Horizontal Spinner Motor	4-14
Installing Horizontal Spinner Motor	4-14
Horizontal Video Board	4-15
Removing the Horizontal Video Board	4-15
Installing the Horizontal Video Board	4-16
Load Cell.....	4-16

Removing Load Cell	4-16
Installing Load Cell.....	4-19
Speaker.....	4-22
Removing the Speaker.....	4-22
Installing the Speaker	4-23
Subplate	4-24
Removing the Subplate	4-24
Installing the Subplate.....	4-25
Top Plate.....	4-25
Removing the Top Plate.....	4-26
Installing the Top Plate.....	4-27
Tower Cabinet Assembly	4-28
Removing the Tower Cabinet Assembly	4-28
Installing the Tower Cabinet Assembly.....	4-29
Vertical Optics Engine	4-30
Removing Vertical Optics Assembly.....	4-30
Installing the Vertical Optics Assembly.....	4-32
Vertical Spinner Motor	4-37
Removing the Vertical Spinner Motor	4-38
Installing the Vertical Spinner Motor.....	4-39
Vertical Video Board.....	4-39
Removing the Vertical Video Board.....	4-40
Installing the Vertical Video Board	4-40
RealScan 25 Remote Compact Display Replaceable Components.....	4-42
RealScan 25 Remote Display Module.....	4-42
Removing the RealScan 25 Display Assembly.....	4-42
Installing the RealScan 25 Display Assembly	4-43
Removing the RealScan 25 Display Module	4-44

Installing the 7825 Display Module.....	4-44
---	------

Chapter 5: Printed Circuit Boards

Digital Board.....	5-1
Video Board	5-3

Chapter 6: Cables

Display Cables.....	6-1
RealScan 25 Compact Remote Display.....	6-2
Single Display	6-2
Dual Display	6-3
RealScan 25 Remote Display.....	6-4
Price/Weight Multiplex Terminal 2552, 2557, 1255.....	6-5
Field Service Calibration Display.....	6-6
Interface Cables	6-7
NCR Host Terminals.....	6-7
Fujitsu Host Terminals	6-9
IBM Host Terminals.....	6-10
ICL Host Terminals.....	6-14
NEC Host Terminals.....	6-17
SASI Host Terminals.....	6-18
Siemens Nixdorf Host Terminals.....	6-21
TEC Host Terminals.....	6-22
USB Host Terminals.....	6-23
Internal Cables.....	6-24
Calibration Switch Harness.....	6-24
Horizontal Spinner Motor Harness	6-25
Horizontal Video Board Harness.....	6-25
Vertical Checkpoint® Antenna Harness	6-25

Vertical Checkpoint® Harness	6-25
Vertical Spinner Motor Harness.....	6-26
Vertical Video Board Harness.....	6-27
RS-232 Peripheral Cables	6-28
RS-232 Peripheral Cable Extension.....	6-28
RS-232 Daisy Chain.....	6-29
RS-232 Turnaround Plug	6-30

Chapter 7: Parts Information

Digital Board.....	7-2
H-Bar.....	7-3
Horizontal Optics.....	7-4
Load Cell	7-5
Mounting Bracket	7-6
Subplate.....	7-7
Top Plate / Produce Guard	7-8
Tower Cabinet Assembly.....	7-9
Vertical Optics	7-10
Vertical Base	7-10
Old Style	7-10
New Style	7-11

Appendix A: Troubleshooting Flowchart

Appendix B: Technical Support

This is a “Table of Contents preview” for quality assurance

The full manual can be found at <http://the-checkout-tech.com/estore/catalog/>

We also offer free downloads, a free keyboard layout designer, cable diagrams, free help and support.

<http://the-checkout-tech.com> : *the biggest supplier of cash register and scale manuals on the net*